

SN65LVDS93B-Q1 10MHz - 85MHz 汽车级 28 位平板显示链路 LVDS SerDes 发送器

1 特性

- 符合面向汽车应用的 AEC-Q100 标准，具有
 - 温度等级 3: -40°C 至 85°C
 - 人体放电模型 (HBM) 静电放电 (ESD) 分类等级 3
 - 组件充电模式 (CDM) ESD 分类等级 C6
- 低压差分信号 (LVDS) 显示系列接口，可直接连接具有集成 LVDS 的 LCD 显示面板
- 封装: 14mm x 6.1mm 薄型小外形尺寸 (TSSOP)
- 1.8V 至 3.3V 耐压数据输入，可直接连接低功耗、低压应用和图形处理器
- 传输速率高达 85Mpps (百万像素/秒); 像素时钟频率范围 10MHz 至 85MHz; 最高支持 2.38Gbps 数据速率
- 适合 HVGA 到高清 (HD) 范围内的显示分辨率，并且电磁干扰 (EMI) 较低
- 通过 3.3V 单电源供电运行，75MHz 频率下的功耗为 170mW (典型值)
- 28 个数据通道 + 时钟输入低压晶体管-晶体管逻辑 (TTL)，4 个数据通道 + 时钟输出低压差分
- 禁用时的功耗不到 1mW
- 可选上升或下降时钟沿触发输入
- 支持扩频时钟 (SSC)
- 支持从 RGB 888 转换至 LVDS I

2 应用范围

- 汽车导航显示屏
- 汽车仪表组显示屏
- 汽车中心堆栈显示屏

3 说明

SN65LVDS93B-Q1 变送器在单个集成电路中融合了 4 个 7 位并行负载串行输出移位寄存器、1 个 7X 时钟合成器以及 5 个低电压差动信号 (LVDS) 线路驱动器。借助这些功能，可通过 5 个平衡对导体将 28 位单端 LVTTTL 数据同步发送至兼容接收器，如 DS90CR286A-Q1 和具有集成 LVDS 接收器的 LCD 面板。

发送数据时，数据位 D0 至 D27 会在输入时钟信号 (CLKIN) 边沿逐个载入寄存器。可通过时钟选择 (CLKSEL) 引脚来选择时钟的上升沿或下降沿。CLKIN 的频率会进行 7 倍倍频，然后用于以串行方式分 7 位时间片上传数据寄存器。接着会将 4 个串行数据流和锁相时钟 (CLKOUT) 输出至 LVDS 输出驱动器。CLKOUT 的频率与输入时钟 (CLKIN) 相同。

SN65LVDS93B-Q1 无需外部组件，只需很少控制，甚至无需控制。发送器输入端的数据总线与接收器输出端的相同，数据传输对于用户而言是透明的。用户唯一能够干预的是选择时钟上升沿 (向 CLKSEL 输入高电平) 或下降沿 (向 CLKSEL 输入低电平)，以及能够使用关断/清零 (SHTDN) 引脚。SHTDN 是一个低电平有效输入，可禁用时钟并关断 LVDS 输出驱动器，从而降低功耗。该信号为低电平时，可将所有内部寄存器置为低电平。

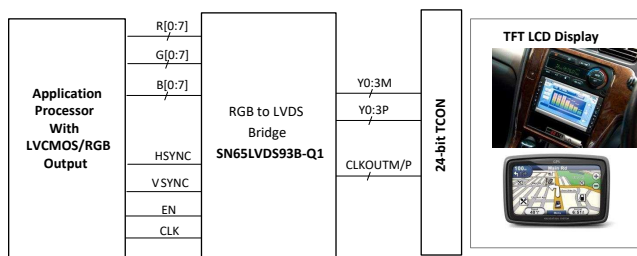
SN65LVDS93B-Q1 的额定工作环境温度范围为 -40°C 至 85°C。

器件信息(1)

器件型号	封装	封装尺寸 (标称值)
SN65LVDS93B-Q1	TSSOP (56)	14.00mm x 6.10mm

(1) 如需了解所有可用封装，请参阅产品说明书末尾的可订购产品附录。

简化原理图



目录

1	特性	1	8.2	Functional Block Diagram	13
2	应用范围	1	8.3	Feature Description	14
3	说明	1	8.4	Device Functional Modes	15
4	修订历史记录	2	9	Application and Implementation	16
5	Pin Configuration and Functions	3	9.1	Application Information	16
6	Specifications	5	9.2	Typical Application	16
6.1	Absolute Maximum Ratings	5	10	Power Supply Recommendations	22
6.2	ESD Ratings	5	11	Layout	22
6.3	Recommended Operating Conditions	5	11.1	Layout Guidelines	22
6.4	Thermal Information	5	11.2	Layout Example	24
6.5	Electrical Characteristics	6	12	器件和文档支持	26
6.6	Timing Requirements	6	12.1	商标	26
6.7	Switching Characteristics	8	12.2	静电放电警告	26
6.8	Typical Characteristics	9	12.3	接收文档更新通知	26
7	Parameter Measurement Information	9	12.4	社区资源	26
8	Detailed Description	13	12.5	术语表	26
8.1	Overview	13	13	机械、封装和可订购信息	26

4 修订历史记录

注：之前版本的页码可能与当前版本有所不同。

Changes from Original (March 2018) to Revision A

Page

•	将器件状态从预告信息 更改为生产数据	1
---	--------------------------	----------

Pin Functions

PIN		I/O	DESCRIPTION
NAME	NO.		
CLKIN	31	CMOS IN with pulldn	Input pixel clock; rising or falling clock polarity is selectable by Control input CLKSEL.
CLKOUTP	39	LVDS Out	Differential LVDS pixel clock output. Output is high-impedance when $\overline{\text{SHTDN}}$ is pulled low (de-asserted).
CLKOUTM	40		
CLKSEL	17	CMOS IN with pulldn	Selects between rising edge input clock trigger (CLKSEL = V_{IH}) and falling edge input clock trigger (CLKSEL = V_{IL}).
D5, D6, D7, D8 D9, D10, D11, D12 D13, D14, D15, D16 D17, D18, D19, D20 D21, D22, D23, D24 D25, D26, D27 D0, D1, D2, D3, D4	2, 3, 4, 6 7, 8, 10, 11 12, 14, 15, 16 18, 19, 20, 22 23, 24, 25, 27 28, 30, 50 51, 52, 54, 55, 56	CMOS IN with pulldn	Data inputs; supports 1.8 V to 3.3 V input voltage selectable by VDD supply. To connect a graphic source successfully to a display, the bit assignment of D[27:0] is critical (and not necessarily intuitive). For input bit assignment see to for details. Note: if application only requires 18-bit color, connect unused inputs D5, D10, D11, D16, D17, D23, and D27 to GND.
GND	5, 13, 21, 29, 33, 35, 36, 43, 49, 53	Power Supply ⁽¹⁾	Supply ground for VCC, IOVCC, LVDSVCC, and PLLVCC.
IOVCC	1, 26	Power Supply ⁽¹⁾	I/O supply reference voltage (1.8 V up to 3.3 V matching the GPU data output signal swing)
LVDSVCC	44	Power Supply ⁽¹⁾	3.3 V LVDS output analog supply
PLLVCC	34	Power Supply ⁽¹⁾	3.3 V PLL analog supply
$\overline{\text{SHTDN}}$	32	CMOS IN with pulldn	Device shut down; pull low (de-assert) to shut down the device (low power, resets all registers) and high (assert) for normal operation.
VCC	9	Power Supply ⁽¹⁾	3.3 V digital supply voltage
Y0P	47	LVDS Out	Differential LVDS data outputs. Outputs are high-impedance when $\overline{\text{SHTDN}}$ is pulled low (de-asserted)
Y0M	48		
Y1P	45		
Y1M	45		
Y2P	41		
Y2M	42		
Y3P	37	LVDS Out	Differential LVDS Data outputs. Output is high-impedance when $\overline{\text{SHTDN}}$ is pulled low (de-asserted). Note: if the application only requires 18-bit color, this output can be left open.
Y3M	38		

- (1) For a multilayer pcb, it is recommended to keep one common GND layer underneath the device and connect all ground terminals directly to this plane.

6 Specifications

6.1 Absolute Maximum Ratings⁽¹⁾

	MIN	MAX	UNIT
Supply voltage range, VCC, IOVCC, LVDSVCC, PLLVCC ⁽²⁾	–0.5	4	V
Voltage range at any output terminal	–0.5	VCC + 0.5	V
Voltage range at any input terminal	–0.5	IOVCC + 0.5	V
Continuous power dissipation	See Thermal Information		
Storage temperature, T _{stg}	–65	150	°C

- (1) Stresses above these ratings may cause permanent damage. Exposure to absolute maximum conditions for extended periods may degrade device reliability. These are stress ratings only, and functional operation of the device at these or any other conditions beyond those specified is not implied.
- (2) All voltages are with respect to the GND terminals.

6.2 ESD Ratings

		VALUE	UNIT
V _(ESD) Electrostatic discharge	Human-body model (HBM), per ANSI/ESDA/JEDEC JS-001 ⁽¹⁾	±4000	V
	Charged-device model (CDM), per JEDEC specification JESD22-C101 ⁽²⁾	±1500	

- (1) JEDEC document JEP155 states that 500-V HBM allows safe manufacturing with a standard ESD control process.
- (2) JEDEC document JEP157 states that 250-V CDM allows safe manufacturing with a standard ESD control process. e.

6.3 Recommended Operating Conditions

over operating free-air temperature range (unless otherwise noted)

PARAMETER	MIN	NOM	MAX	UNIT
Supply voltage, VCC	3	3.3	3.6	V
LVDS output Supply voltage, LVDSVCC	3	3.3	3.6	
PLL analog supply voltage, PLLVCC	3	3.3	3.6	
IO input reference supply voltage, IOVCC	1.62	1.8 / 2.5 / 3.3	3.6	
Power supply noise on any VCC terminal			0.1	
High-level input voltage, V _{IH}	IOVCC = 1.8 V	IOVCC/2 + 0.3 V		V
	IOVCC = 2.5 V	IOVCC/2 + 0.4 V		
	IOVCC = 3.3 V	IOVCC/2 + 0.5 V		
Low-level input voltage, V _{IL}	IOVCC = 1.8 V	IOVCC/2 - 0.3 V		V
	IOVCC = 2.5 V	IOVCC/2 - 0.4 V		
	IOVCC = 3.3 V	IOVCC/2 - 0.5 V		
Differential load impedance, Z _L	90		132	Ω
Operating free-air temperature, T _A	–40		85	°C
Virtual junction temperature, T _J			105	°C

6.4 Thermal Information

THERMAL METRIC ⁽¹⁾		SN65LVDS93B-Q1	UNIT
		DGG (TSSOP)	
		56 PINS	
R _{θJA}	Junction-to-ambient thermal resistance	63.4	°C/W
R _{θJC(top)}	Junction-to-case (top) thermal resistance	15.9	°C/W
R _{θJB}	Junction-to-board thermal resistance	32.5	°C/W
ψ _{JT}	Junction-to-top characterization parameter	0.4	°C/W
ψ _{JB}	Junction-to-board characterization parameter	32.2	°C/W

- (1) For more information about traditional and new thermal metrics, see the [Semiconductor and IC Package Thermal Metrics](#) application report.

Thermal Information (continued)

THERMAL METRIC ⁽¹⁾		SN65LVDS93B-Q1	UNIT
		DGG (TSSOP)	
		56 PINS	
$R_{\theta JC(bot)}$	Junction-to-case (bottom) thermal resistance	N/A	°C/W

6.5 Electrical Characteristics

over operating free-air temperature range (unless otherwise noted)

PARAMETER		TEST CONDITIONS	MIN	TYP ⁽¹⁾	MAX	UNIT	
V_T	Input voltage threshold			IOVCC/2		V	
$ V_{OD} $	Differential steady-state output voltage magnitude	$R_L = 100\Omega$, See 图 5	250		450	mV	
$\Delta V_{OD} $	Change in the steady-state differential output voltage magnitude between opposite binary states		1		35	mV	
$V_{OC(SS)}$	Steady-state common-mode output voltage	See 图 5 $t_{R/F} (Dx, CLKin) = 1\text{ ns}$	1.125		1.375	V	
$V_{OC(PP)}$	Peak-to-peak common-mode output voltage				35	mV	
I_{IH}	High-level input current	$V_{IH} = IOVCC$			25	μA	
I_{IL}	Low-level input current	$V_{IL} = 0\text{ V}$			± 10	μA	
I_{OS}	Short-circuit output current	$V_{OY} = 0\text{ V}$			± 24	mA	
		$V_{OD} = 0\text{ V}$			± 12	mA	
I_{OZ}	High-impedance state output current	$V_O = 0\text{ V to VCC}$			± 20	μA	
R_{pdn}	Input pull-down integrated resistor on all inputs (Dx, CLKSEL, SHTDN, CLKIN)	IOVCC = 1.8 V		200		k Ω	
		IOVCC = 3.3 V		100			
I_Q	Quiescent current (average)	disabled, all inputs at GND; SHTDN = V_{IL}		10	100	μA	
I_{CC}	Supply current (average)	SHTDN = V_{IH} , $R_L = 100\Omega$ (5 places), grayscale pattern (图 6), VCC = 3.3 V, $f_{CLK} = 75\text{ MHz}$		51.9		mA	
		$I_{(VCC)} + I_{(PLL VCC)} + I_{(LVDS VCC)}$					
		$I_{(IOVCC)}$ with IOVCC = 3.3 V		0.4			
			$I_{(IOVCC)}$ with IOVCC = 1.8 V			0.1	
		SHTDN = V_{IH} , $R_L = 100\Omega$ (5 places), worst-case pattern (图 7), VCC = 3.6 V, $f_{CLK} = 75\text{ MHz}$		63.7		mA	
		$I_{(VCC)} + I_{(PLL VCC)} + I_{(LVDS VCC)}$					
		$I_{(IOVCC)}$ with IOVCC = 3.3 V		1.3			
			$I_{(IOVCC)}$ with IOVCC = 1.8 V			0.5	
		SHTDN = V_{IH} , $R_L = 100\Omega$ (5 places), worst-case pattern (图 7), $f_{CLK} = 85\text{ MHz}$		75.1		mA	
$I_{(VCC)} + I_{(PLL VCC)} + I_{(LVDS VCC)}$							
$I_{(IOVCC)}$ with IOVCC = 3.6 V		1.5					
	$I_{(IOVCC)}$ with IOVCC = 1.8 V			0.6			
C_I	Input capacitance			2		pF	

 (1) All typical values are at VCC = 3.3 V, $T_A = 25^\circ\text{C}$.

6.6 Timing Requirements

PARAMETER		MIN	MAX	UNIT
Input clock period, t_c		7.4	100	ns
Input clock modulation	with modulation frequency 30 kHz		8%	
	with modulation frequency 50 kHz		6%	
High-level input clock pulse width duration, t_w		$0.4 t_c$	$0.6 t_c$	ns
Input signal transition time, t_t			3	ns

Timing Requirements (continued)

PARAMETER	MIN	MAX	UNIT
Data set up time, D0 through D27 before CLKIN (See 图 4)	2		ns
Data hold time, D0 through D27 after CLKIN	0.8		ns

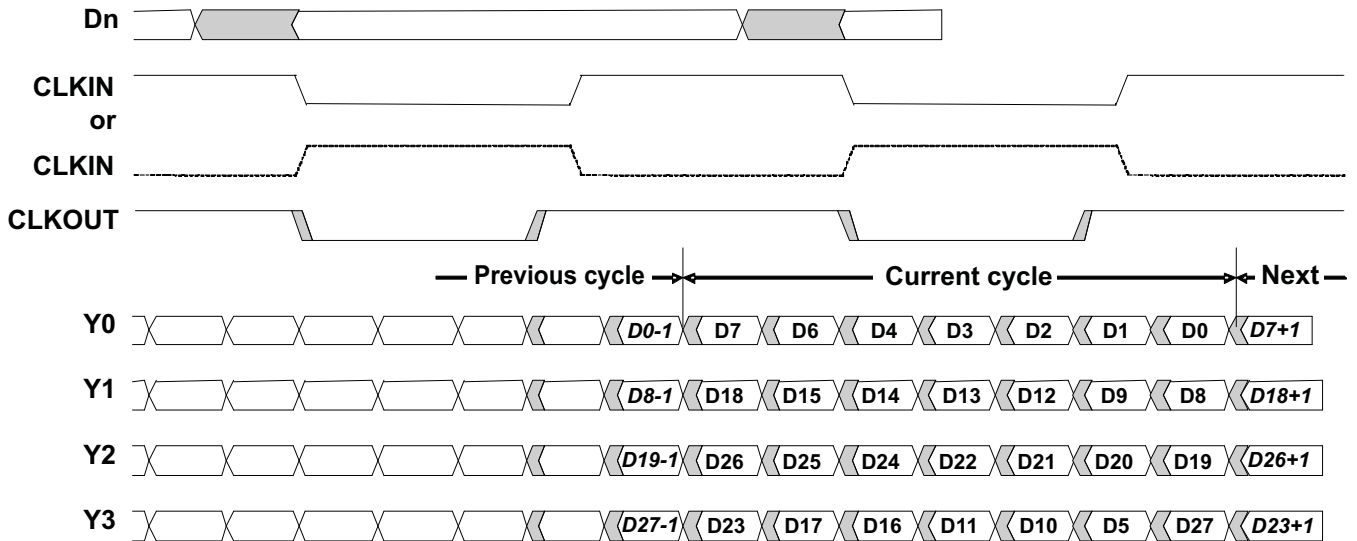


图 1. Typical SN65LVDS93B-Q1 Load and Shift Sequences

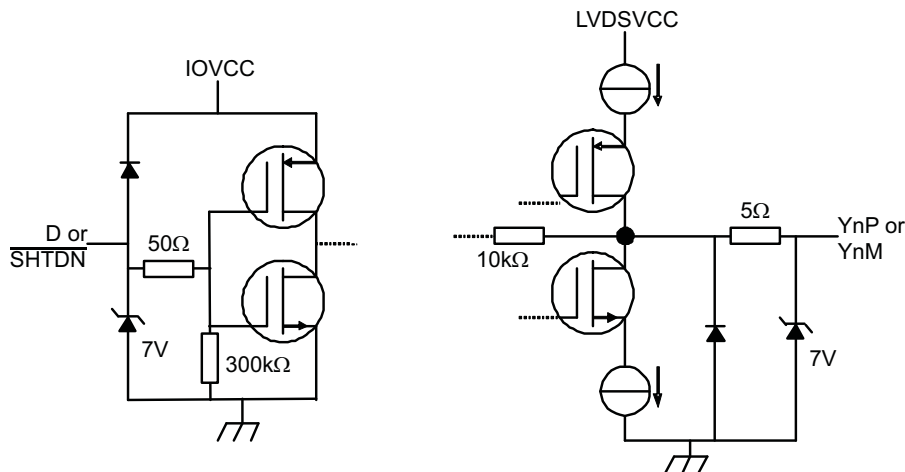


图 2. Equivalent Input and Output Schematic Diagrams

6.7 Switching Characteristics

over operating free-air temperature range (unless otherwise noted)

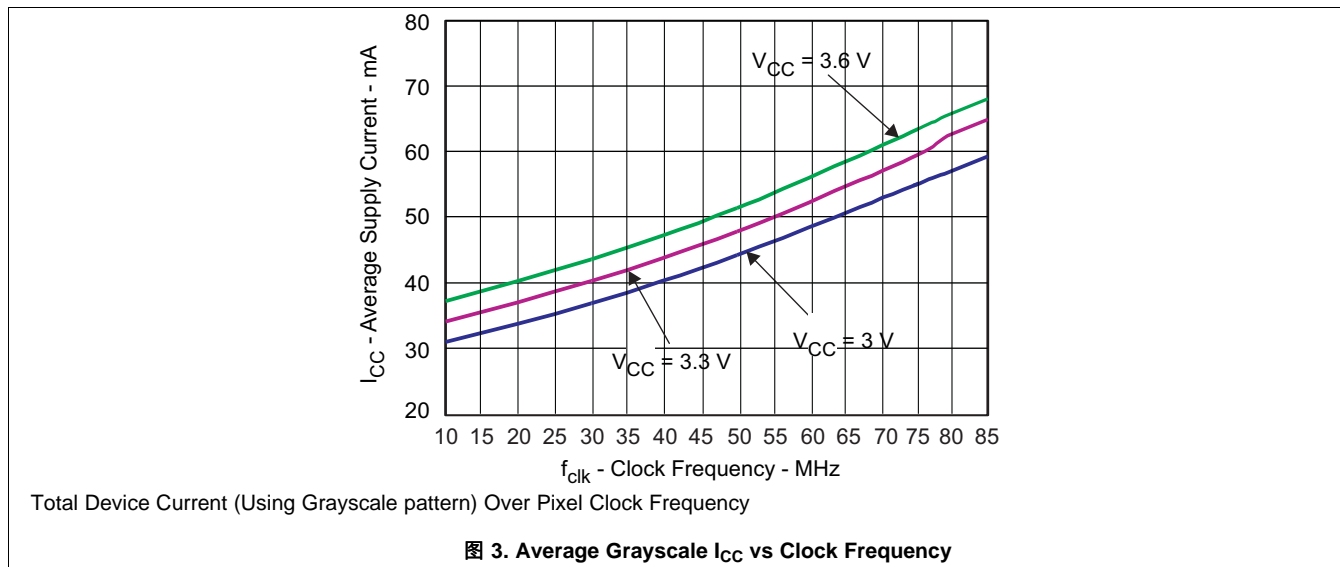
PARAMETER		TEST CONDITIONS	MIN	TYP ⁽¹⁾	MAX	UNIT
t_0	Delay time, CLKOUT \uparrow after Yn valid (serial bit position 0, equal D1, D9, D20, D5)	See 图 8 , $t_C = 10\text{ns}$, Input clock jitter < 25ps ⁽²⁾	-0.1	0	0.1	ns
t_1	Delay time, CLKOUT \uparrow after Yn valid (serial bit position 1, equal D0, D8, D19, D27)		$1/7 t_C - 0.1$		$1/7 t_C + 0.1$	ns
t_2	Delay time, CLKOUT \uparrow after Yn valid (serial bit position 2, equal D7, D18, D26, D23)		$2/7 t_C - 0.1$		$2/7 t_C + 0.1$	ns
t_3	Delay time, CLKOUT \uparrow after Yn valid (serial bit position 3; equal D6, D15, D25, D17)		$3/7 t_C - 0.1$		$3/7 t_C + 0.1$	ns
t_4	Delay time, CLKOUT \uparrow after Yn valid (serial bit position 4, equal D4, D14, D24, D16)		$4/7 t_C - 0.1$		$4/7 t_C + 0.1$	ns
t_5	Delay time, CLKOUT \uparrow after Yn valid (serial bit position 5, equal D3, D13, D22, D11)		$5/7 t_C - 0.1$		$5/7 t_C + 0.1$	ns
t_6	Delay time, CLKOUT \uparrow after Yn valid (serial bit position 6, equal D2, D12, D21, D10)		$6/7 t_C - 0.1$		$6/7 t_C + 0.1$	ns
$t_{C(o)}$	Output clock period			t_C		ns
$\Delta t_{C(o)}$	Output clock cycle-to-cycle jitter ⁽³⁾	$t_C = 10\text{ns}$; clean reference clock, see 图 9		± 35		ps
		$t_C = 10\text{ns}$ with 0.05UI added noise modulated at 3MHz, see 图 9		± 44		
		$t_C = 7.4\text{ns}$; clean reference clock, see 图 9		± 35		
		$t_C = 7.4\text{ns}$ with 0.05UI added noise modulated at 3MHz, see 图 9		± 42		
t_w	High-level output clock pulse duration			$4/7 t_C$		ns
$t_{r/f}$	Differential output voltage transition time (t_r or t_f)	See 图 5		225	500	ps
t_{en}	Enable time, $\overline{\text{SHTDN}}\uparrow$ to phase lock (Yn valid)	$f_{\text{clk}} = 85\text{MHz}$, See 图 10		10		μs
t_{dis}	Disable time, $\overline{\text{SHTDN}}\downarrow$ to off-state (CLKOUT high-impedance)	$f_{\text{clk}} = 85\text{MHz}$, See 图 11		12		ns

 (1) All typical values are at $V_{CC} = 3.3\text{V}$, $T_A = 25^\circ\text{C}$.

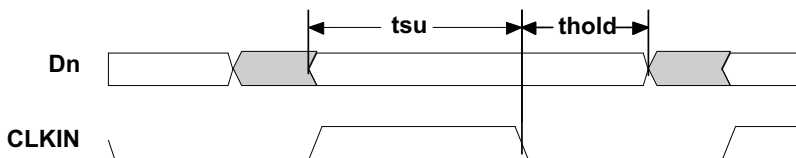
(2) |Input clock jitter| is the magnitude of the change in the input clock period.

(3) The output clock cycle-to-cycle jitter is the largest recorded change in the output clock period from one cycle to the next cycle observed over 15,000 cycles. Tektronix TDSJIT3 Jitter Analysis software was used to derive the maximum and minimum jitter value.

6.8 Typical Characteristics



7 Parameter Measurement Information



All input timing is defined at $IOVDD / 2$ on an input signal with a 10% to 90% rise or fall time of less than 3 ns. CLKSEL = 0 V.

图 4. Set Up and Hold Time Definition

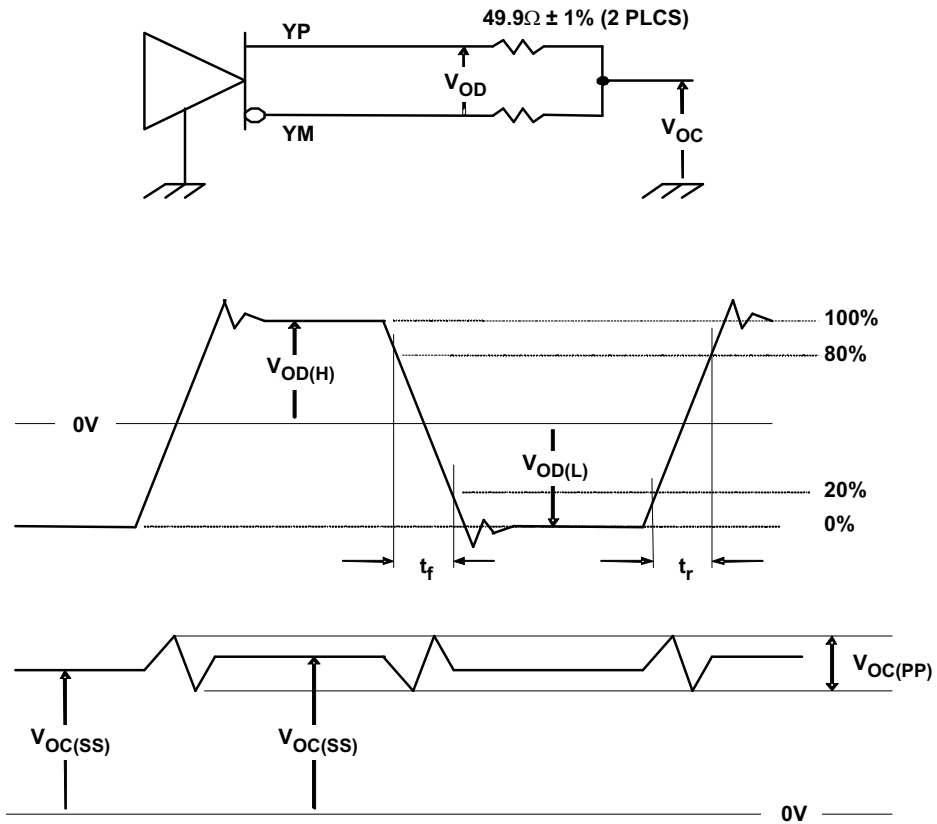
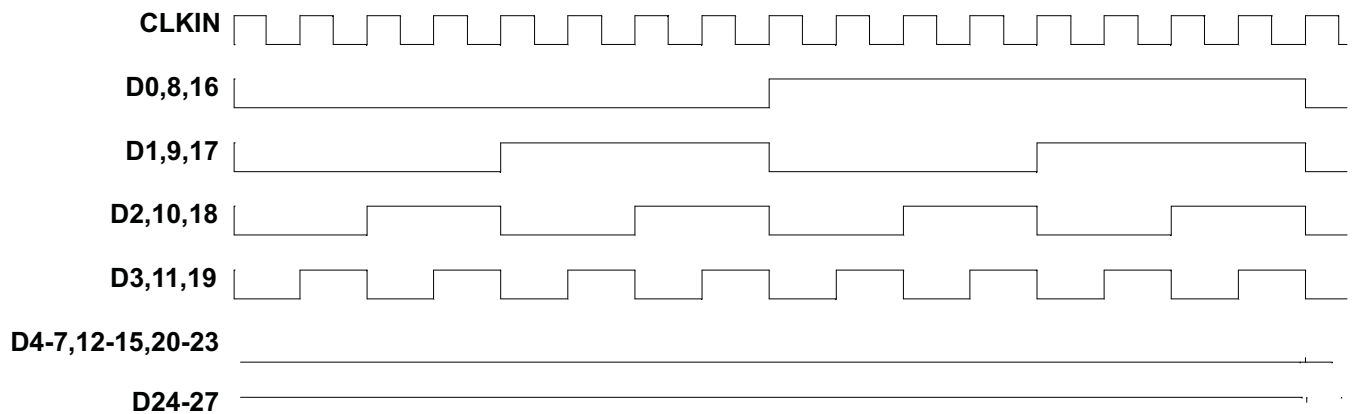
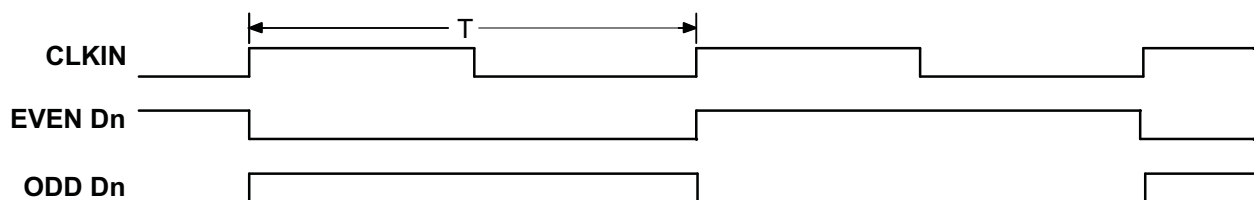


图 5. Test Load and Voltage Definitions for LVDS Outputs



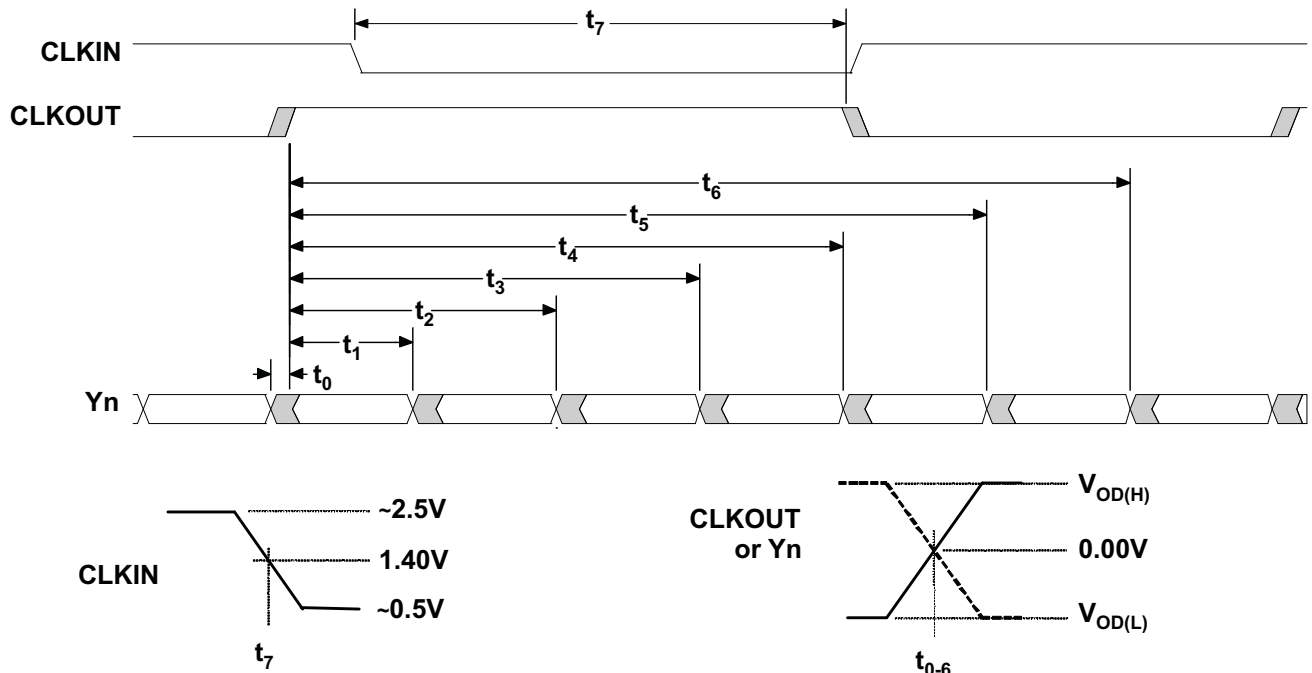
The 16 grayscale test pattern test device power consumption for a typical display pattern.

图 6. 16 Grayscale Test Pattern



The worst-case test pattern produces nearly the maximum switching frequency for all of the LVDS outputs.

图 7. Worst-Case Power Test Pattern



CLKOUT is shown with CLKSEL at high-level.
CLKIN polarity depends on CLKSEL input level.

图 8. SN65LVDS93B-Q1 Timing Definitions

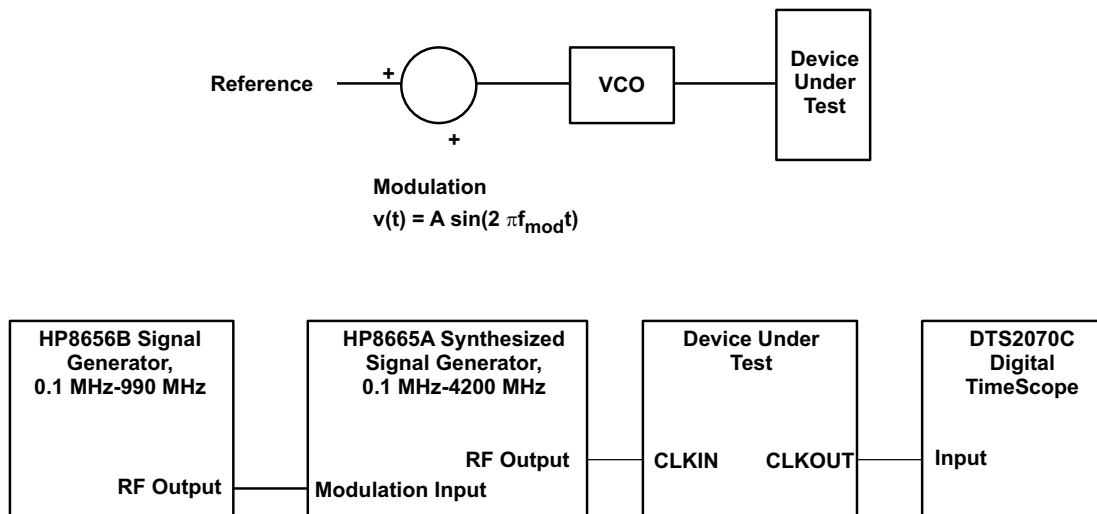


图 9. Output Clock Jitter Test Set Up

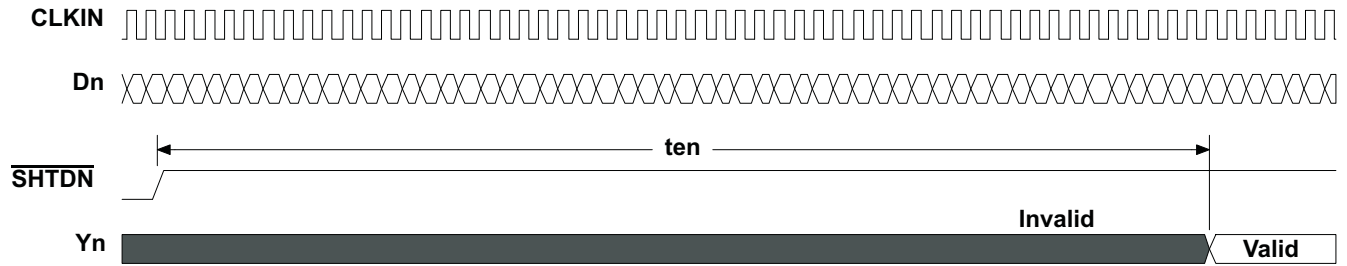


图 10. Enable Time Waveforms

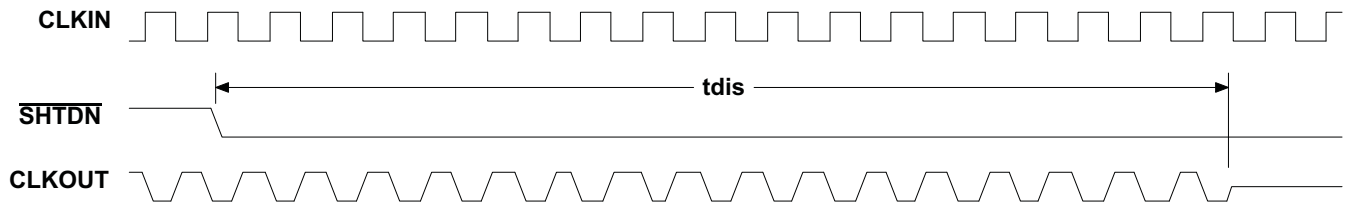


图 11. Disable Time Waveforms

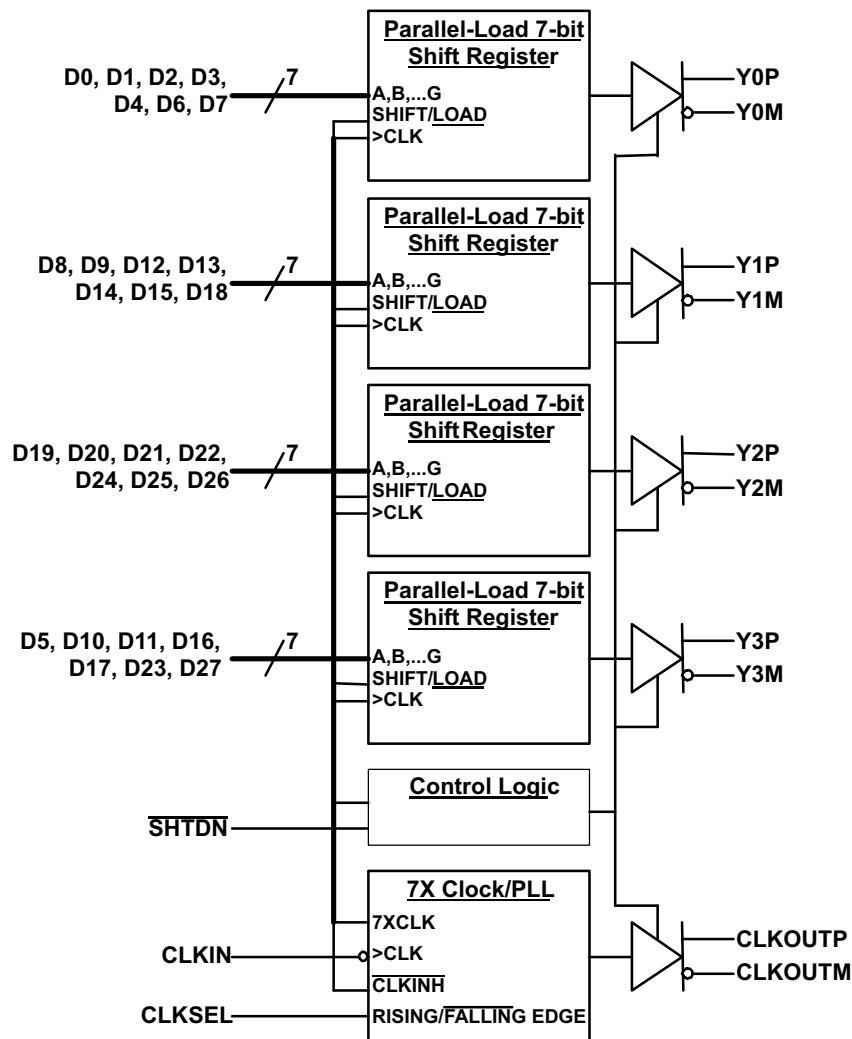
8 Detailed Description

8.1 Overview

The SN65LVDS93B-Q1 takes in three (or four) data words each containing seven single-ended data bits and converts this to an LVDS serial output. Each serial output runs at seven times that of the parallel data rate. The deserializer (receiver) device operates in the reverse manner. The three (or four) LVDS serial inputs are transformed back to the original seven-bit parallel single-ended data. Additional TI solutions are available in 21:3 or 28:4 SerDes ratios.

- The 21-bit devices are designed for 6-bit RGB video for a total of 18 bits in addition to three extra bits for horizontal synchronization, vertical synchronization, and data enable.
- The 28-bit devices are intended for 8-bit RGB video applications. Again, the extra four bits are for horizontal synchronization, vertical synchronization, data enable, and the remaining is the reserved bit. These 28-bit devices can also be used in 6-bit and 4-bit RGB applications as shown in the subsequent system diagrams.

8.2 Functional Block Diagram



8.3 Feature Description

8.3.1 TTL Input Data

The data inputs to the transmitter come from the graphics processor and consist of up to 24 bits of video information, a horizontal synchronization bit, a vertical synchronization bit, an enable bit, and a spare bit. The data can be loaded into the registers upon either the rising or falling edge of the input clock selectable by the CLKSEL pin. Data inputs are 1.8 V to 3.3 V tolerant for the SN65LVDS93B-Q1 and can connect directly to low-power, low-voltage application and graphic processors. The bit mapping is listed in [表 1](#).

表 1. Pixel Bit Ordering

	RED	GREEN	BLUE
LSB	R0	G0	B0
	R1	G1	B1
	R2	G2	B2
4-bit MSB	R3	G3	B3
	R4	G4	B4
6-bit MSB	R5	G5	B5
	R6	G6	B6
8-bit MSB	R7	G7	B7

8.3.2 LVDS Output Data

The pixel data assignment is listed in [表 2](#) for 24-bit, 18-bit, and 12-bit color hosts.

表 2. Pixel Data Assignment

SERIAL CHANNEL	DATA BITS	8-BIT			6-BIT	4-BIT	
		FORMAT-1	FORMAT-2	FORMAT-3		NON-LINEAR STEP SIZE	LINEAR STEP SIZE
Y0	D0	R0	R2	R2	R0	R2	VCC
	D1	R1	R3	R3	R1	R3	GND
	D2	R2	R4	R4	R2	R0	R0
	D3	R3	R5	R5	R3	R1	R1
	D4	R4	R6	R6	R4	R2	R2
	D6	R5	R7	R7	R5	R3	R3
	D7	G0	G2	G2	G0	G2	VCC
Y1	D8	G1	G3	G3	G1	G3	GND
	D9	G2	G4	G4	G2	G0	G0
	D12	G3	G5	G5	G3	G1	G1
	D13	G4	G6	G6	G4	G2	G2
	D14	G5	G7	G7	G5	G3	G3
	D15	B0	B2	B2	B0	B2	VCC
	D18	B1	B3	B3	B1	B3	GND
Y2	D19	B2	B4	B4	B2	B0	B0
	D20	B3	B5	B5	B3	B1	B1
	D21	B4	B6	B6	B4	B2	B2
	D22	B5	B7	B7	B5	B3	B3
	D24	HSYNC	HSYNC	HSYNC	HSYNC	HSYNC	HSYNC
	D25	VSYNC	VSYNC	VSYNC	VSYNC	VSYNC	VSYNC
	D26	ENABLE	ENABLE	ENABLE	ENABLE	ENABLE	ENABLE

表 2. Pixel Data Assignment (接下页)

SERIAL CHANNEL	DATA BITS	8-BIT			6-BIT	4-BIT	
		FORMAT-1	FORMAT-2	FORMAT-3		NON-LINEAR STEP SIZE	LINEAR STEP SIZE
Y3	D27	R6	R0	GND	GND	GND	GND
	D5	R7	R1	GND	GND	GND	GND
	D10	G6	G0	GND	GND	GND	GND
	D11	G7	G1	GND	GND	GND	GND
	D16	B6	B0	GND	GND	GND	GND
	D17	B7	B1	GND	GND	GND	GND
	D23	RSVD	RSVD	GND	GND	GND	GND
CLKOUT	CLKIN	CLK	CLK	CLK	CLK	CLK	CLK

8.4 Device Functional Modes

8.4.1 Input Clock Edge

The transmission of data bits D0 through D27 occurs as each are loaded into registers upon the edge of the CLKIN signal, where the rising or falling edge of the clock may be selected via CLKSEL. The selection of a clock rising edge occurs by inputting a high level to CLKSEL, which is achieved by populating pull-up resistor to pull CLKSEL=high. Inputting a low level to select a clock falling edge is achieved by directly connecting CLKSEL to GND.

8.4.2 Low Power Mode

The SN65LVDS93B-Q1 can be put in low-power consumption mode by active-low input SHTDN#. Connecting pin SHTDN# to GND will inhibit the clock and shut off the LVDS output drivers for lower power consumption. A low-level on this signal clears all internal registers to a low-level. Populate a pull-up to VCC on SHTDN# to enable the device for normal operation.

9 Application and Implementation

注

Information in the following applications sections is not part of the TI component specification, and TI does not warrant its accuracy or completeness. TI's customers are responsible for determining suitability of components for their purposes. Customers should validate and test their design implementation to confirm system functionality.

9.1 Application Information

This section describes the power up sequence, provides information on device connectivity to various GPU and LCD display panels, and offers a PCB routing example.

9.2 Typical Application

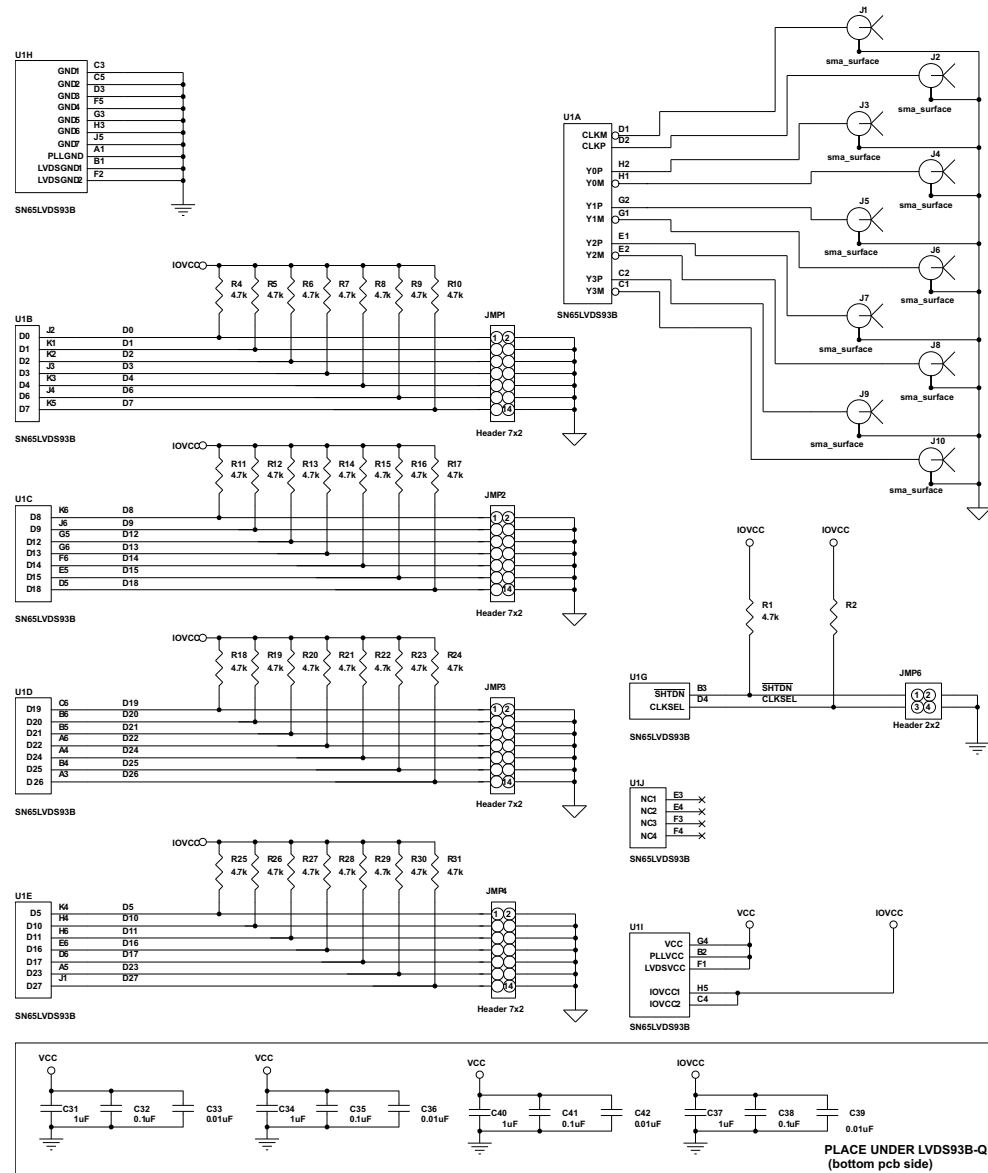


图 12. Schematic Example

Typical Application (接下页)

9.2.1 Design Requirements

DESIGN PARAMETER	EXAMPLE VALUE
VCC	3.3 V
VCCIO	1.8 V
CLKIN	Falling edge
SHTDN#	High
Format	18-bit GPU to 24-bit LCD

9.2.2 Detailed Design Procedure

9.2.2.1 Power Up Sequence

The SN65LVDS93B-Q1 does not require a specific power up sequence.

It is permitted to power up IOVCC while VCC, VCCPLL, and VCCLVDS remain powered down and connected to GND. The input level of the SHTDN during this time does not matter as only the input stage is powered up while all other device blocks are still powered down.

It is also permitted to power up all 3.3V power domains while IOVCC is still powered down to GND. The device will not suffer damage. However, in this case, all the I/Os are detected as logic HIGH, regardless of their true input voltage level. Hence, connecting SHTDN to GND will still be interpreted as a logic HIGH; the LVDS output stage will turn on. The power consumption in this condition is significantly higher than standby mode, but still lower than normal mode.

The user experience can be impacted by the way a system powers up and powers down an LCD screen. The following sequence is recommended:

Power up sequence (SN65LVDS93B-Q1 $\overline{\text{SHTDN}}$ input initially low):

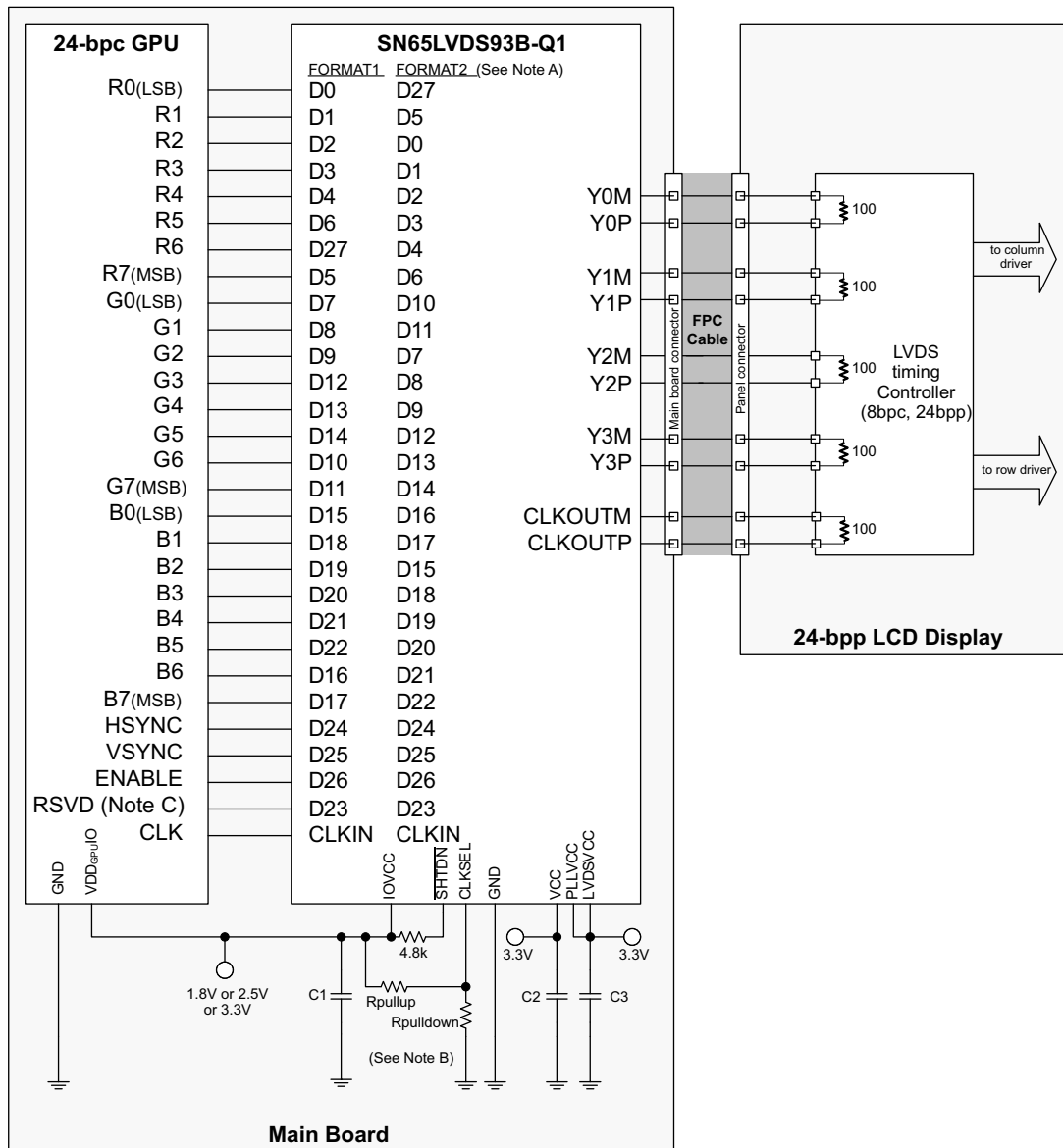
- A. Ramp up LCD power (maybe 0.5ms to 10ms) but keep backlight turned off.
- B. Wait for additional 0-200ms to ensure display noise won't occur.
- C. Enable video source output; start sending black video data.
- D. Toggle SN65LVDS93B-Q1 shutdown to $\overline{\text{SHTDN}} = V_{IH}$.
- E. Send >1ms of black video data; this allows the SN65LVDS93B-Q1 to be phase locked, and the display to show black data first.
- F. Start sending true image data.
- G. Enable backlight.

Power Down sequence (SN65LVDS93B-Q1 $\overline{\text{SHTDN}}$ input initially high):

- A. Disable LCD backlight; wait for the minimum time specified in the LCD data sheet for the backlight to go low.
- B. Video source output data switch from active video data to black image data (all visible pixel turn black); drive this for >2 frame times.
- C. Set SN65LVDS93B-Q1 input $\overline{\text{SHTDN}} = \text{GND}$; wait for 250ns.
- D. Disable the video output of the video source.
- E. Remove power from the LCD panel for lowest system power.

9.2.2.2 Signal Connectivity

While there is no formal industry standardized specification for the input interface of LVDS LCD panels, the industry has aligned over the years on a certain data format (bit order). 图 13 through 图 15 show how each signal should be connected from the graphic source through the SN65LVDS93B-Q1 input, output and LVDS LCD panel input. Detailed notes are provided with each figure.



Note A. **FORMAT:** The majority of 24-bit LCD display panels require the two most significant bits (2 MSB) of each color to be transferred over the 4th serial data output Y3. A few 24-bit LCD display panels require the two LSBs of each color to be transmitted over the Y3 output. The system designer needs to verify which format is expected by checking the LCD display data sheet.

- Format 1: use with displays expecting the 2 MSB to be transmitted over the 4th data channel Y3. This is the dominate data format for LCD panels.
- Format 2: use with displays expecting the 2 LSB to be transmitted over the 4th data channel.

Note B. **Rpullup:** install only to use rising edge triggered clocking.

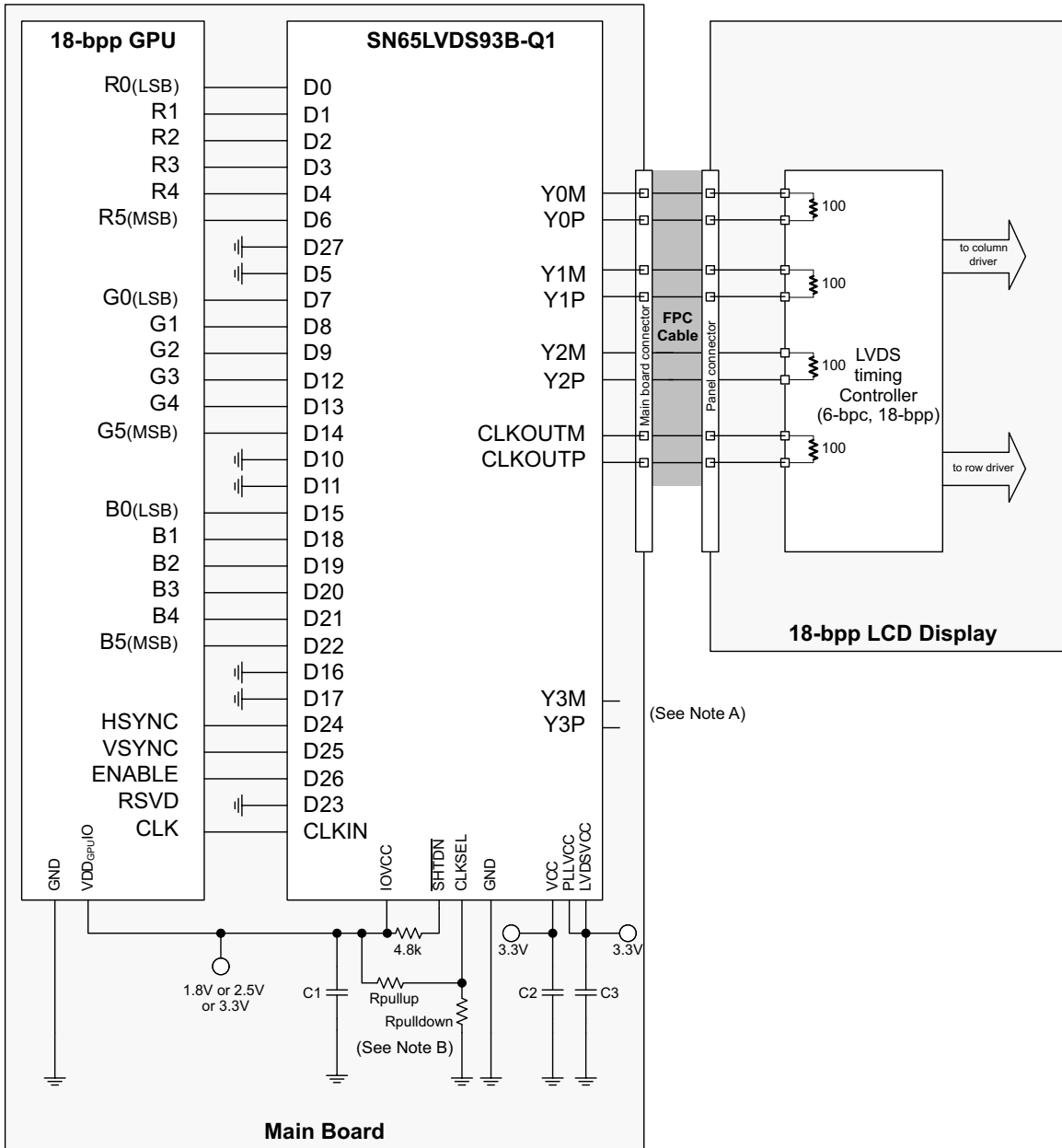
Rpulldown: install only to use falling edge triggered clocking.

- C1: decoupling cap for the VDDIO supply; install at least 1x0.01µF.
- C2: decoupling cap for the VDD supply; install at least 1x0.1µF and 1x0.01µF.
- C3: decoupling cap for the VDDPLL and VDDLVDs supply; install at least 1x0.1µF and 1x0.01µF.

Note C. If RSVD is not driven to a valid logic level, then an external connection to GND is recommended.

Note D. RSVD must be driven to a valid logic level. All unused SN65LVDS93B-Q1 inputs must be tied to a valid logic level.

图 13. 24-Bit Color Host to 24-Bit LCD Panel Application



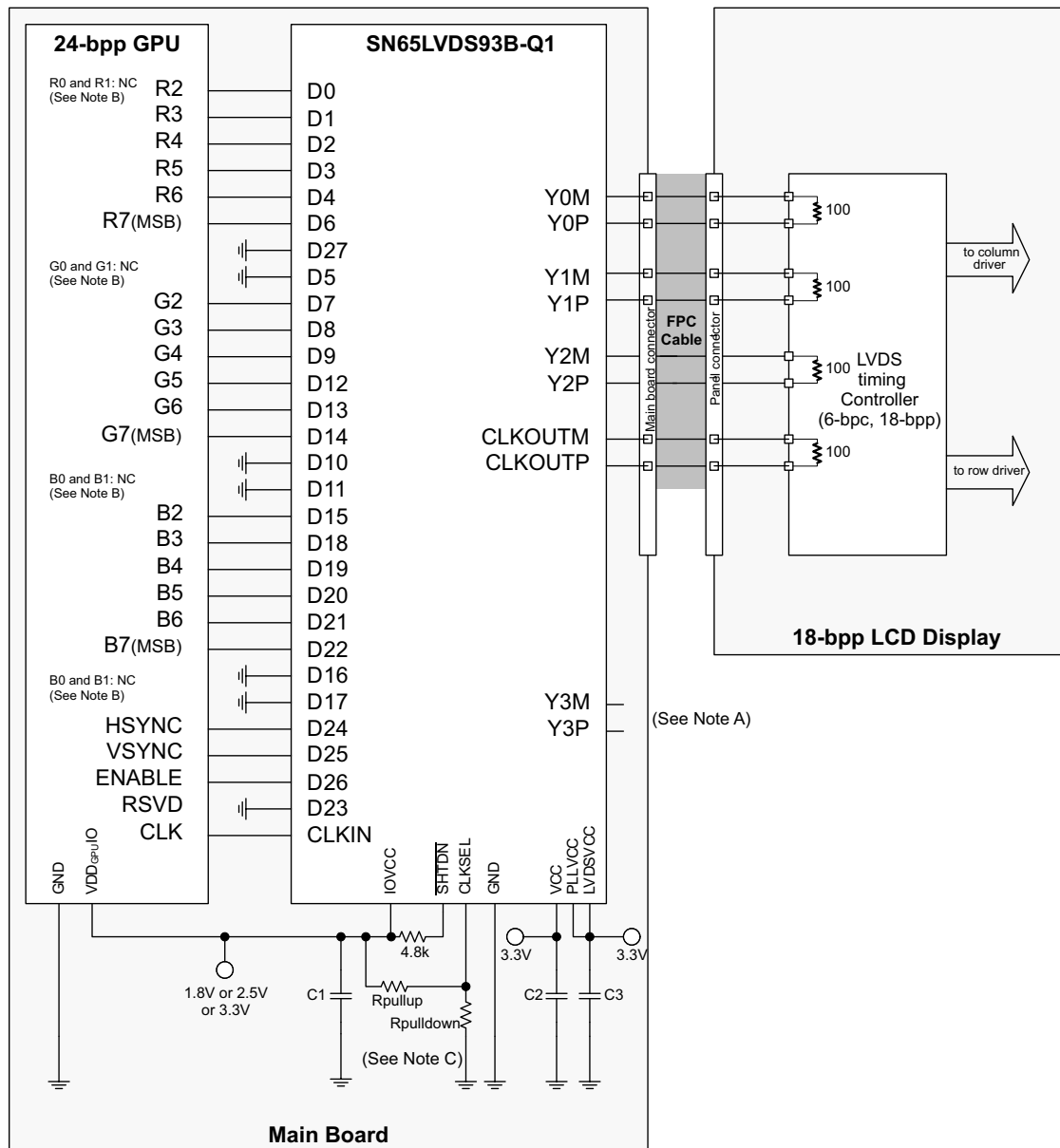
Note A. Leave output Y3 NC.

Note B. **Rpullup**: install only to use rising edge triggered clocking.

Rpulldown: install only to use falling edge triggered clocking.

- C1: decoupling cap for the VDDIO supply; install at least 1x0.01µF.
- C2: decoupling cap for the VDD supply; install at least 1x0.1µF and 1x0.01µF.
- C3: decoupling cap for the VDDPLL and VDDLVD supply; install at least 1x0.1µF and 1x0.01µF.

图 14. 18-Bit Color Host to 18-Bit Color LCD Panel Display Application



Note A. Leave output Y3 NC.

Note B. **R0, R1, G0, G1, B0, B1**: For improved image quality, the GPU should dither the 24-bit output pixel down to 18-bit per pixel.

Note C. **Rpullup**: install only to use rising edge triggered clocking.

Rpulldown: install only to use falling edge triggered clocking.

- C1: decoupling cap for the VDDIO supply; install at least 1x0.01 μ F.
- C2: decoupling cap for the VDD supply; install at least 1x0.1 μ F and 1x0.01 μ F.
- C3: decoupling cap for the VDDPLL and VDDLVD supply; install at least 1x0.1 μ F and 1x0.01 μ F.

图 15. 24-Bit Color Host to 18-Bit Color LCD Panel Display Application

9.2.2.3 PCB Routing

图 16 shows a possible breakout of the data input and output signals on two layers of a printed circuit board.

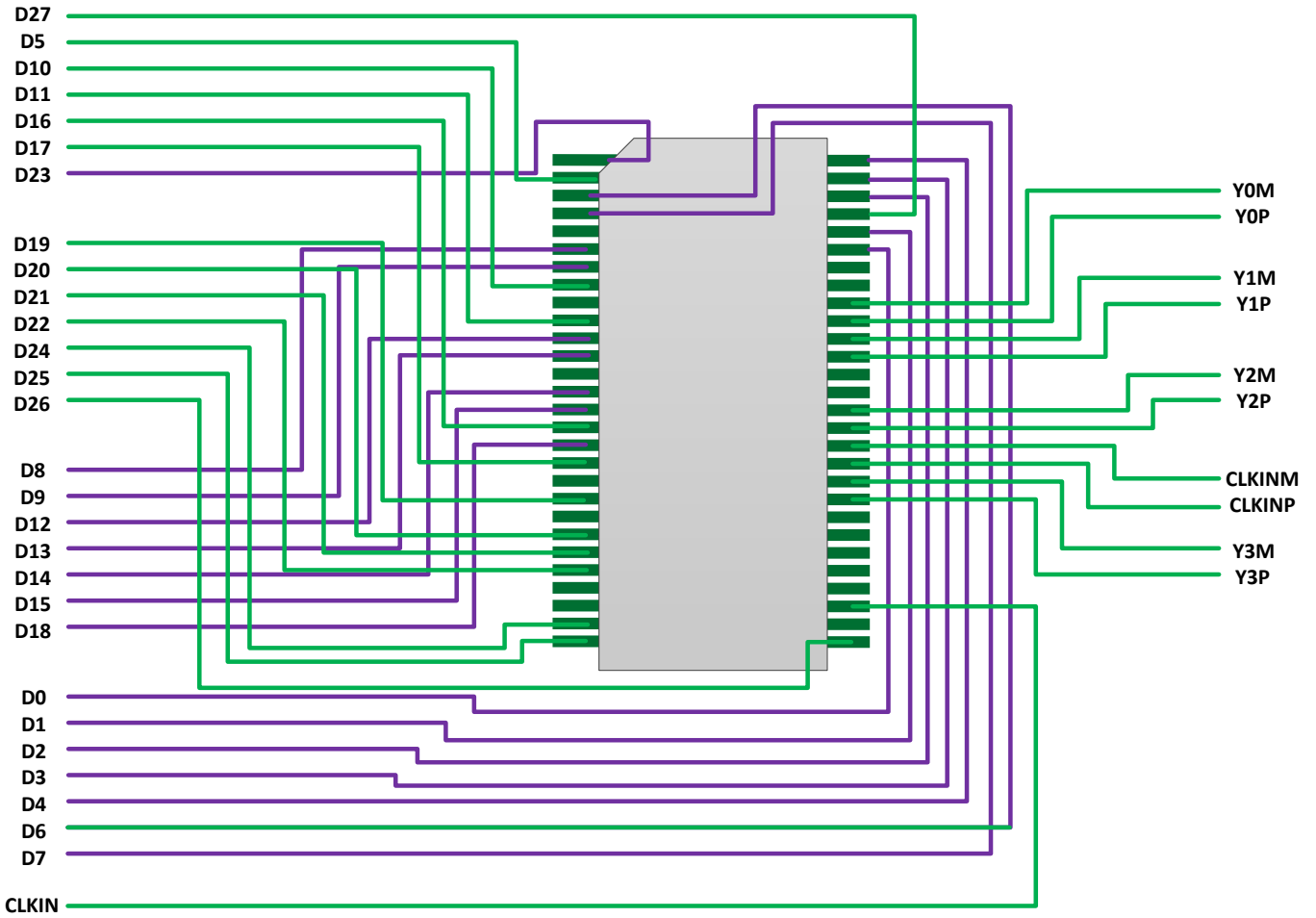


图 16. Printed Circuit Board Routing Example (See 图 12 for the Schematic)

9.2.3 Application Curve

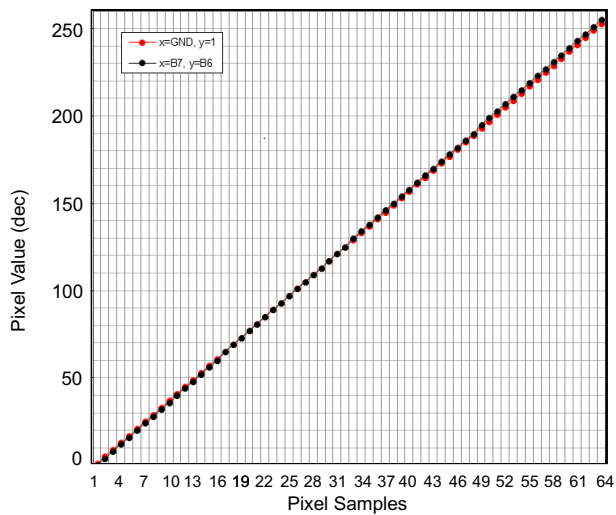


图 17. 18b GPU to 24b LCD

10 Power Supply Recommendations

Power supply PLL, IO, and LVDS pins must be uncoupled from each.

11 Layout

11.1 Layout Guidelines

11.1.1 Board Stackup

There is no fundamental information about how many layers should be used and how the board stackup should look. Again, the easiest way to get good results is to use the design from the EVMs of Texas Instruments. The magazine *Elektronik Praxis* has published an article with an analysis of different board stackups. These are listed in 表 3. Generally, the use of microstrip traces needs at least two layers, whereas one of them must be a GND plane. Better is the use of a four-layer PCB, with a GND and a VCC plane and two signal layers. If the circuit is complex and signals must be routed as stripline, because of propagation delay and/or characteristic impedance, a six-layer stackup should be used.

表 3. Possible Board Stackup on a Four-Layer PCB

	MODEL 1	MODEL 2	MODEL 3	MODEL 4
Layer 1	SIG	SIG	SIG	GND
Layer 2	SIG	GND	GND	SIG
Layer 3	VCC	VCC	SIG	VCC
Layer 4	GND	SIG	VCC	SIG
Decoupling	Good	Good	Bad	Bad
EMC	Bad	Bad	Bad	Bad
Signal Integrity	Bad	Bad	Good	Bad
Self Disturbance	Satisfaction	Satisfaction	Satisfaction	High

11.1.2 Power and Ground Planes

A complete ground plane in high-speed design is essential. Additionally, a complete power plane is recommended as well. In a complex system, several regulated voltages can be present. The best solution is for every voltage to have its own layer and its own ground plane. But this would result in a huge number of layers just for ground and supply voltages. What are the alternatives? Split the ground planes and the power planes? In a mixed-signal design, e.g., using data converters, the manufacturer often recommends splitting the analog ground and the digital ground to avoid noise coupling between the digital part and the sensitive analog part. Take care when using split ground planes because:

- Split ground planes act as slot antennas and radiate.
- A routed trace over a gap creates large loop areas, because the return current cannot flow beside the signal, and the signal can induce noise into the nonrelated reference plane (图 18).
- With a proper signal routing, crosstalk also can arise in the return current path due to discontinuities in the ground plane. Always take care of the return current (图 19).

For 图 19, do not route a signal referenced to digital ground over analog ground and vice versa. The return current cannot take the direct way along the signal trace and so a loop area occurs. Furthermore, the signal induces noise, due to crosstalk (dotted red line) into the analog ground plane.

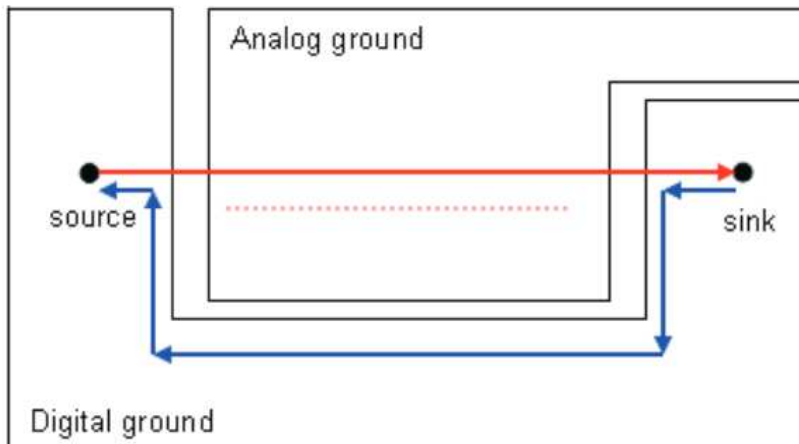


图 18. Loop Area and Crosstalk Due to Poor Signal Routing and Ground Splitting

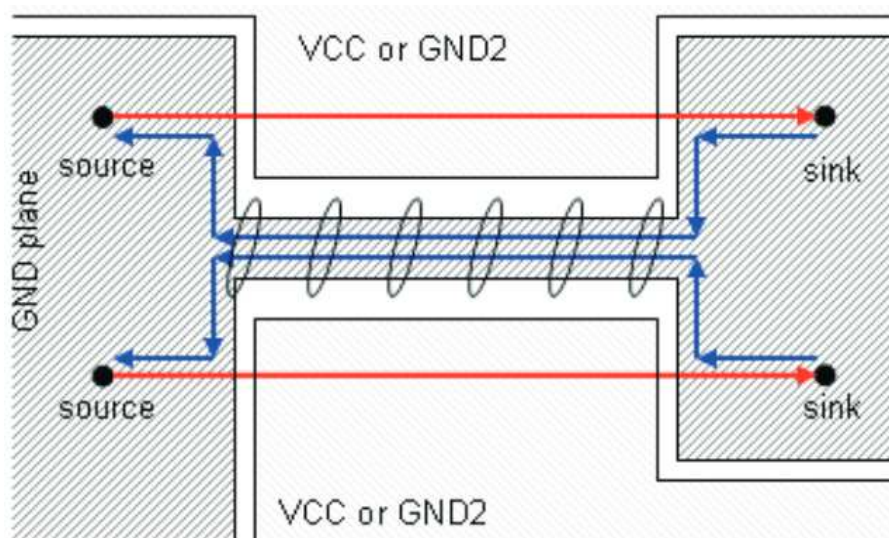


图 19. Crosstalk Induced by the Return Current Path

11.1.3 Traces, Vias, and Other PCB Components

A right angle in a trace can cause more radiation. The capacitance increases in the region of the corner, and the characteristic impedance changes. This impedance change causes reflections.

- Avoid right-angle bends in a trace and try to route them at least with two 45° corners. To minimize any impedance change, the best routing would be a round bend (see 图 20).
- Separate high-speed signals (e.g., clock signals) from low-speed signals and digital from analog signals; again, placement is important.
- To minimize crosstalk not only between two signals on one layer but also between adjacent layers, route them with 90° to each other.

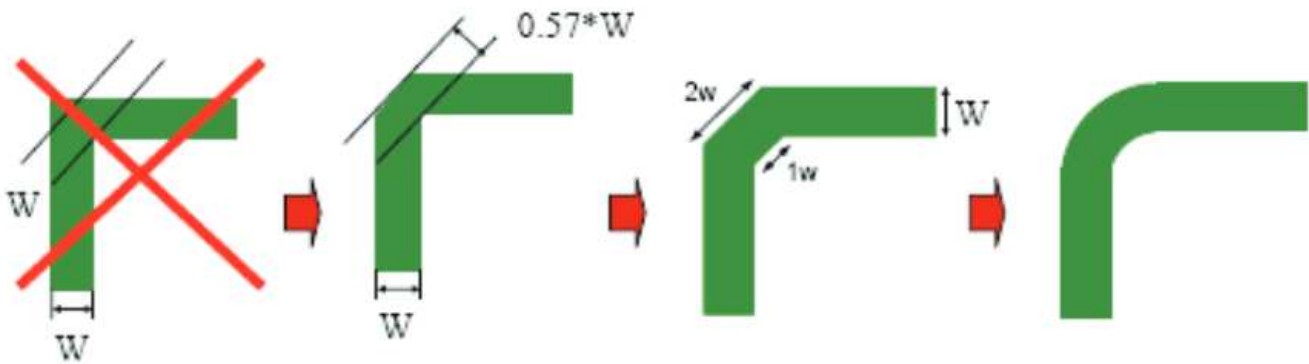


图 20. Poor and Good Right Angle Bends

11.2 Layout Example

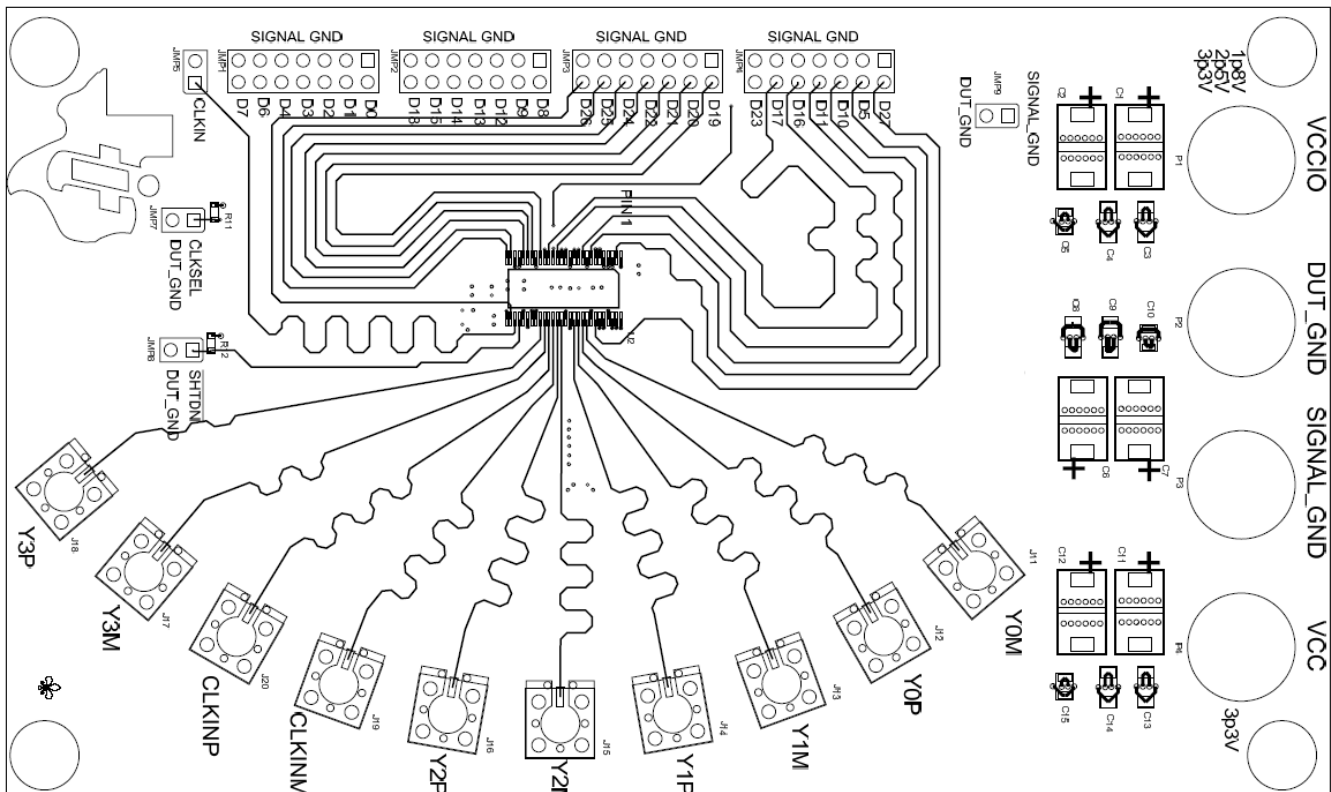


图 21. EVM Top Layer – TSSOP Package

Layout Example (接下页)

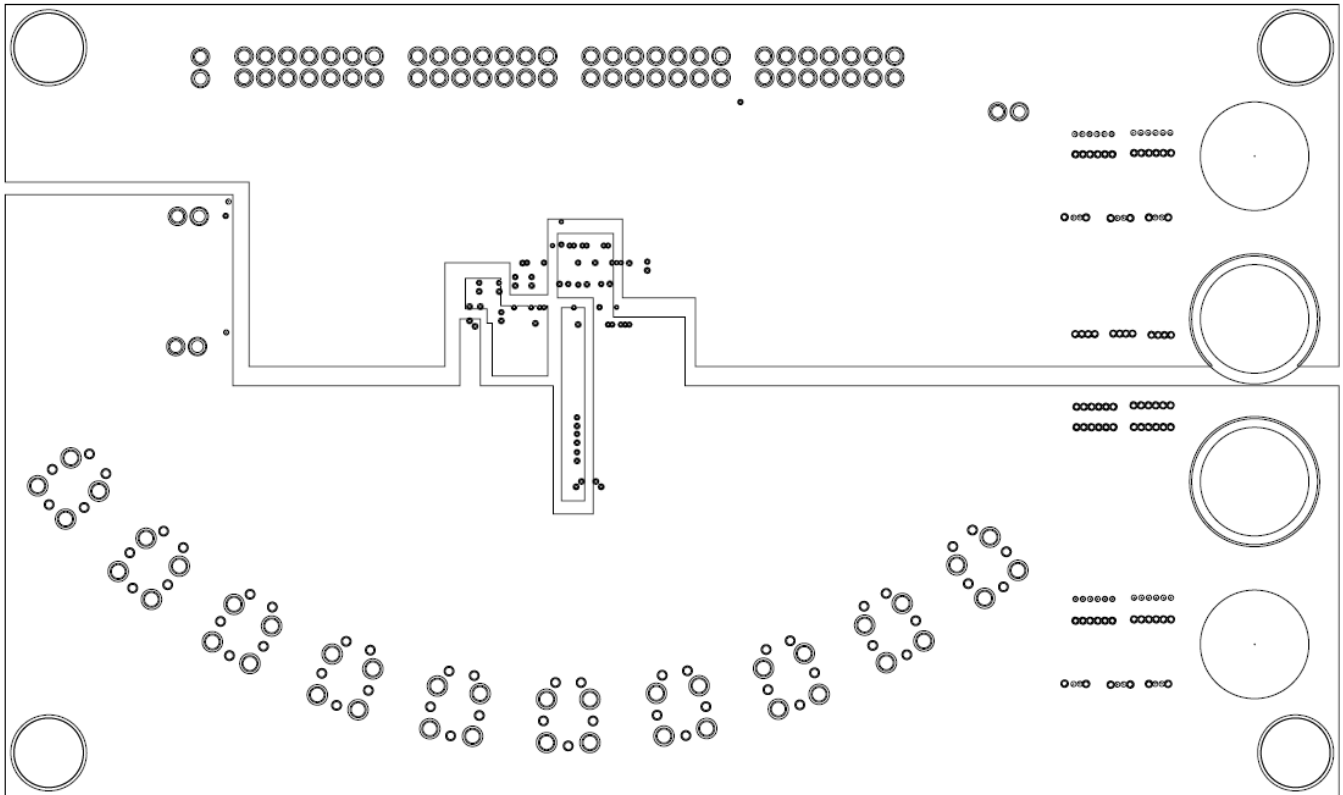


图 22. EVM VCC Layer – TSSOP Package

12 器件和文档支持

12.1 商标

E2E is a trademark of Texas Instruments.

All other trademarks are the property of their respective owners.

12.2 静电放电警告



这些装置包含有限的内置 ESD 保护。存储或装卸时，应将导线一起截短或将装置放置于导电泡棉中，以防止 MOS 门极遭受静电损伤。

12.3 接收文档更新通知

要接收文档更新通知，请导航至 TI.com.cn 上的器件产品文件夹。单击右上角的 *通知我* 进行注册，即可每周接收产品信息更改摘要。有关更改的详细信息，请查看任何已修订文档中包含的修订历史记录。

12.4 社区资源

下列链接提供到 TI 社区资源的连接。链接的内容由各个分销商“按照原样”提供。这些内容并不构成 TI 技术规范，并且不一定反映 TI 的观点；请参阅 TI 的 [《使用条款》](#)。

TI E2E™ 在线社区 *TI 的工程师对工程师 (E2E) 社区*。此社区的创建目的在于促进工程师之间的协作。在 e2e.ti.com 中，您可以咨询问题、分享知识、拓展思路并与同行工程师一道帮助解决问题。

设计支持 *TI 参考设计支持* 可帮助您快速查找有帮助的 E2E 论坛、设计支持工具以及技术支持的联系信息。

12.5 术语表

SLYZ022 — *TI 术语表*。

这份术语表列出并解释术语、缩写和定义。

13 机械、封装和可订购信息

以下页面包含机械、封装和可订购信息。这些信息是指定器件的最新可用数据。数据如有变更，恕不另行通知，且不会对此文档进行修订。如需获取此产品说明书的浏览器版本，请查阅左侧的导航栏。

重要声明和免责声明

TI 均以“原样”提供技术性数据（包括数据表）、设计资源（包括参考设计）、应用或其他设计建议、网络工具、安全信息和其他资源，不保证其中不含任何瑕疵，且不做任何明示或暗示的担保，包括但不限于对适销性、适合某特定用途或不侵犯任何第三方知识产权的暗示担保。

所述资源可供专业开发人员应用TI 产品进行设计使用。您将对以下行为独自承担全部责任：(1) 针对您的应用选择合适的TI 产品；(2) 设计、验证并测试您的应用；(3) 确保您的应用满足相应标准以及任何其他安全、安保或其他要求。所述资源如有变更，恕不另行通知。TI 对您使用所述资源的授权仅限于开发资源所涉及TI 产品的相关应用。除此之外不得复制或展示所述资源，也不提供其它TI 或任何第三方的知识产权授权许可。如因使用所述资源而产生任何索赔、赔偿、成本、损失及债务等，TI 对此概不负责，并且您须赔偿由此对TI 及其代表造成的损害。

TI 所提供产品均受TI 的销售条款 (<http://www.ti.com.cn/zh-cn/legal/termsofsale.html>) 以及ti.com.cn上或随附TI产品提供的其他可适用条款的约束。TI提供所述资源并不扩展或以其他方式更改TI 针对TI 产品所发布的可适用的担保范围或担保免责声明。

邮寄地址：上海市浦东新区世纪大道 1568 号中建大厦 32 楼，邮政编码：200122
Copyright © 2018 德州仪器半导体技术（上海）有限公司

PACKAGING INFORMATION

Orderable Device	Status (1)	Package Type	Package Drawing	Pins	Package Qty	Eco Plan (2)	Lead finish/ Ball material (6)	MSL Peak Temp (3)	Op Temp (°C)	Device Marking (4/5)	Samples
SN65LVDS93BIDGGRQ1	ACTIVE	TSSOP	DGG	56	2000	RoHS & Green	NIPDAU	Level-2-260C-1 YEAR	-40 to 85	LVDS93BQ	Samples
SN65LVDS93BIDGGTQ1	ACTIVE	TSSOP	DGG	56	250	RoHS & Green	NIPDAU	Level-2-260C-1 YEAR	-40 to 85	LVDS93BQ	Samples

(1) The marketing status values are defined as follows:

ACTIVE: Product device recommended for new designs.

LIFEBUY: TI has announced that the device will be discontinued, and a lifetime-buy period is in effect.

NRND: Not recommended for new designs. Device is in production to support existing customers, but TI does not recommend using this part in a new design.

PREVIEW: Device has been announced but is not in production. Samples may or may not be available.

OBsolete: TI has discontinued the production of the device.

(2) **RoHS:** TI defines "RoHS" to mean semiconductor products that are compliant with the current EU RoHS requirements for all 10 RoHS substances, including the requirement that RoHS substance do not exceed 0.1% by weight in homogeneous materials. Where designed to be soldered at high temperatures, "RoHS" products are suitable for use in specified lead-free processes. TI may reference these types of products as "Pb-Free".

RoHS Exempt: TI defines "RoHS Exempt" to mean products that contain lead but are compliant with EU RoHS pursuant to a specific EU RoHS exemption.

Green: TI defines "Green" to mean the content of Chlorine (Cl) and Bromine (Br) based flame retardants meet JS709B low halogen requirements of <=1000ppm threshold. Antimony trioxide based flame retardants must also meet the <=1000ppm threshold requirement.

(3) MSL, Peak Temp. - The Moisture Sensitivity Level rating according to the JEDEC industry standard classifications, and peak solder temperature.

(4) There may be additional marking, which relates to the logo, the lot trace code information, or the environmental category on the device.

(5) Multiple Device Markings will be inside parentheses. Only one Device Marking contained in parentheses and separated by a "~" will appear on a device. If a line is indented then it is a continuation of the previous line and the two combined represent the entire Device Marking for that device.

(6) Lead finish/Ball material - Orderable Devices may have multiple material finish options. Finish options are separated by a vertical ruled line. Lead finish/Ball material values may wrap to two lines if the finish value exceeds the maximum column width.

Important Information and Disclaimer:The information provided on this page represents TI's knowledge and belief as of the date that it is provided. TI bases its knowledge and belief on information provided by third parties, and makes no representation or warranty as to the accuracy of such information. Efforts are underway to better integrate information from third parties. TI has taken and continues to take reasonable steps to provide representative and accurate information but may not have conducted destructive testing or chemical analysis on incoming materials and chemicals. TI and TI suppliers consider certain information to be proprietary, and thus CAS numbers and other limited information may not be available for release.

In no event shall TI's liability arising out of such information exceed the total purchase price of the TI part(s) at issue in this document sold by TI to Customer on an annual basis.

TAPE AND REEL INFORMATION



QUADRANT ASSIGNMENTS FOR PIN 1 ORIENTATION IN TAPE



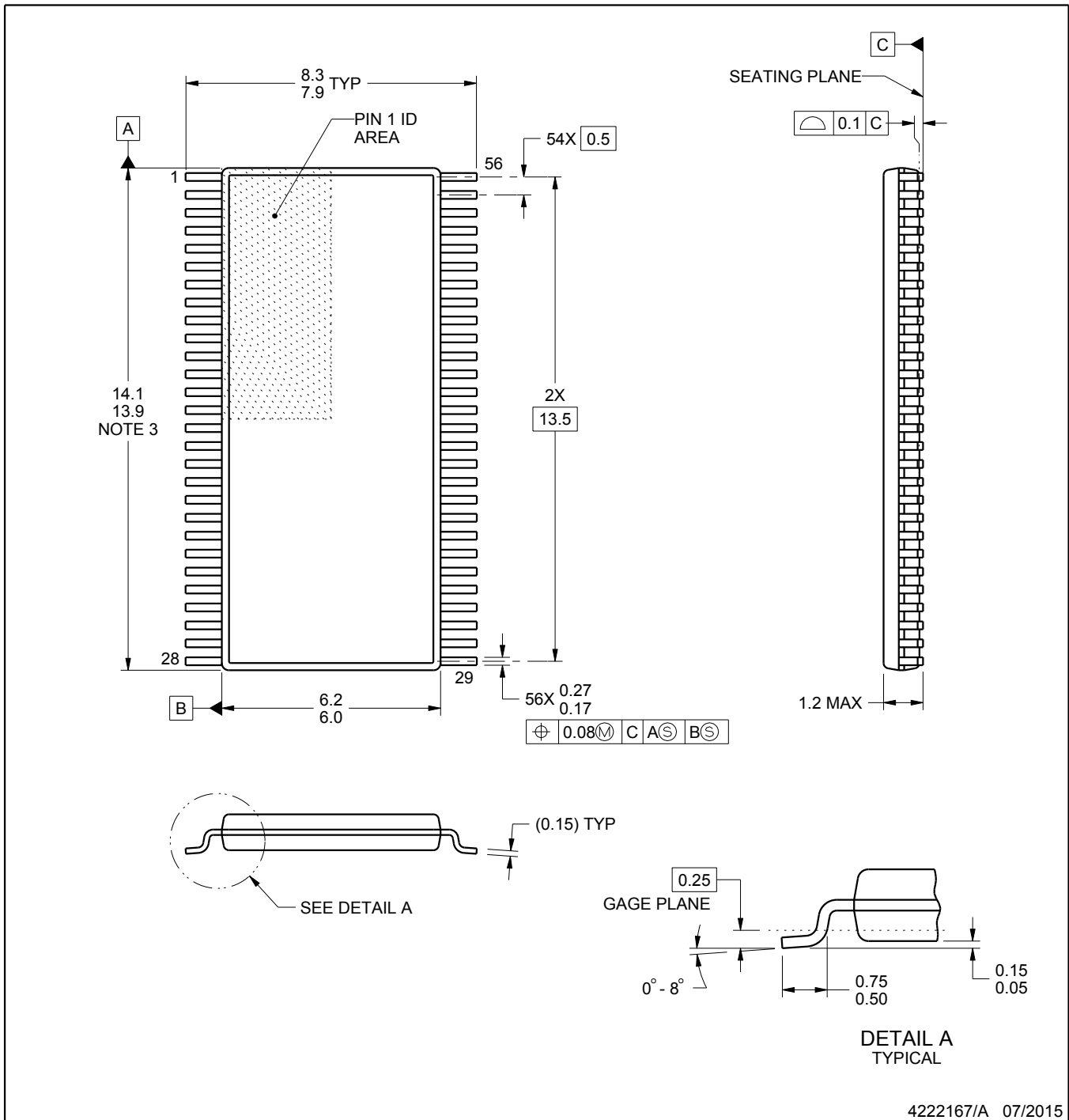
*All dimensions are nominal

Device	Package Type	Package Drawing	Pins	SPQ	Reel Diameter (mm)	Reel Width W1 (mm)	A0 (mm)	B0 (mm)	K0 (mm)	P1 (mm)	W (mm)	Pin1 Quadrant
SN65LVDS93BIDGGRQ1	TSSOP	DGG	56	2000	330.0	24.4	8.6	15.6	1.8	12.0	24.0	Q1
SN65LVDS93BIDGGTQ1	TSSOP	DGG	56	250	330.0	24.4	8.6	15.6	1.8	12.0	24.0	Q1

TAPE AND REEL BOX DIMENSIONS


*All dimensions are nominal

Device	Package Type	Package Drawing	Pins	SPQ	Length (mm)	Width (mm)	Height (mm)
SN65LVDS93BIDGGRQ1	TSSOP	DGG	56	2000	367.0	367.0	45.0
SN65LVDS93BIDGGTQ1	TSSOP	DGG	56	250	367.0	367.0	45.0



4222167/A 07/2015

NOTES:

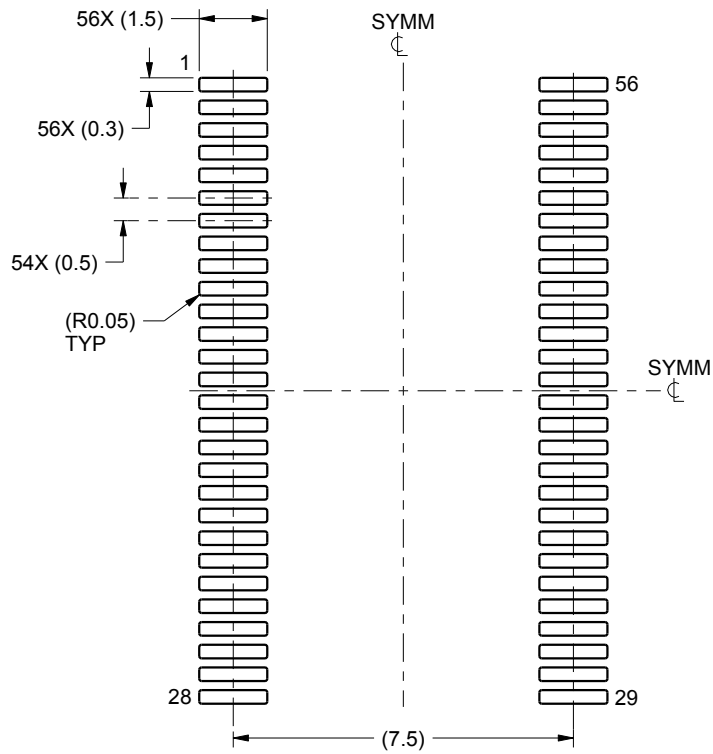
- All linear dimensions are in millimeters. Any dimensions in parenthesis are for reference only. Dimensioning and tolerancing per ASME Y14.5M.
- This drawing is subject to change without notice.
- This dimension does not include mold flash, protrusions, or gate burrs. Mold flash, protrusions, or gate burrs shall not exceed 0.15 mm per side.
- Reference JEDEC registration MO-153.

EXAMPLE BOARD LAYOUT

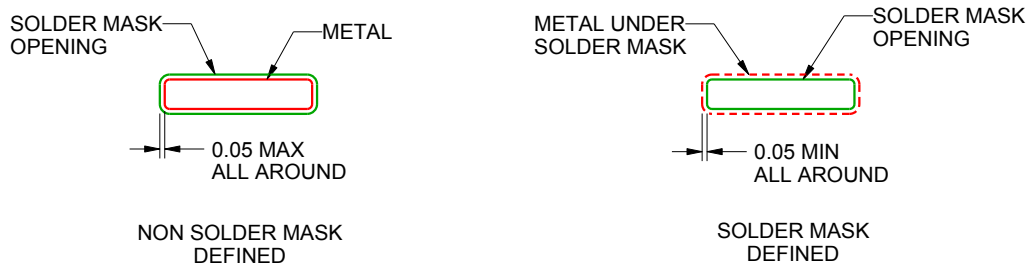
DGG0056A

TSSOP - 1.2 mm max height

SMALL OUTLINE PACKAGE



LAND PATTERN EXAMPLE
SCALE:6X



SOLDER MASK DETAILS

4222167/A 07/2015

NOTES: (continued)

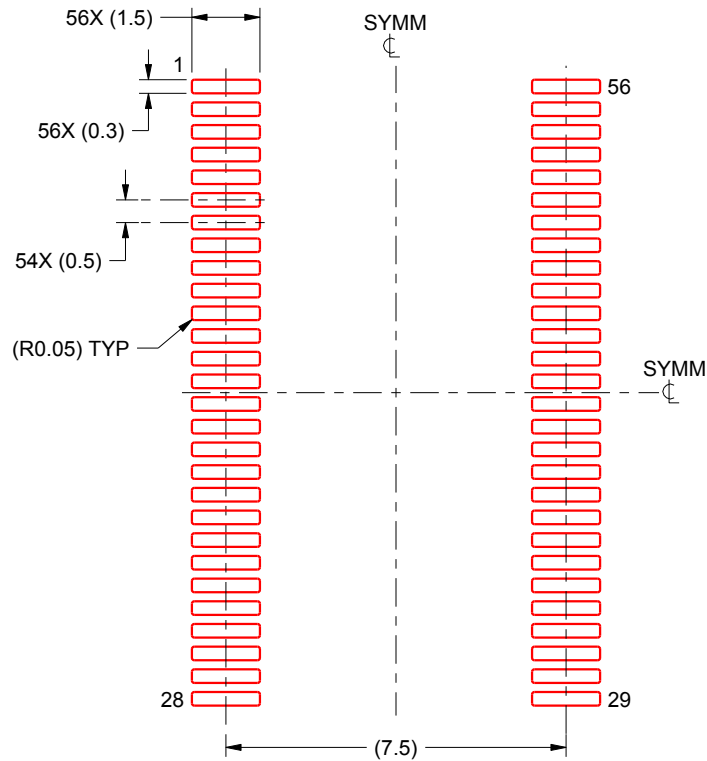
- 5. Publication IPC-7351 may have alternate designs.
- 6. Solder mask tolerances between and around signal pads can vary based on board fabrication site.

EXAMPLE STENCIL DESIGN

DGG0056A

TSSOP - 1.2 mm max height

SMALL OUTLINE PACKAGE



SOLDER PASTE EXAMPLE
BASED ON 0.125 mm THICK STENCIL
SCALE:6X

4222167/A 07/2015

NOTES: (continued)

7. Laser cutting apertures with trapezoidal walls and rounded corners may offer better paste release. IPC-7525 may have alternate design recommendations.
8. Board assembly site may have different recommendations for stencil design.

重要声明和免责声明

TI 均以“原样”提供技术性 & 可靠性数据（包括数据表）、设计资源（包括参考设计）、应用或其他设计建议、网络工具、安全信息和其他资源，不保证其中不含任何瑕疵，且不做任何明示或暗示的担保，包括但不限于对适销性、适合某特定用途或不侵犯任何第三方知识产权的暗示担保。

所述资源可供专业开发人员应用 TI 产品进行设计使用。您将对以下行为独自承担全部责任：(1) 针对您的应用选择合适的 TI 产品；(2) 设计、验证并测试您的应用；(3) 确保您的应用满足相应标准以及任何其他安全、安保或其他要求。所述资源如有变更，恕不另行通知。TI 对您使用所述资源的授权仅限于开发资源所涉及 TI 产品的相关应用。除此之外不得复制或展示所述资源，也不提供其它 TI 或任何第三方的知识产权授权许可。如因使用所述资源而产生任何索赔、赔偿、成本、损失及债务等，TI 对此概不负责，并且您须赔偿由此对 TI 及其代表造成的损害。

TI 所提供产品均受 TI 的销售条款 (<http://www.ti.com.cn/zh-cn/legal/termsofsale.html>) 以及 [ti.com.cn](http://www.ti.com.cn) 上或随附 TI 产品提供的其他可适用条款的约束。TI 提供所述资源并不扩展或以其他方式更改 TI 针对 TI 产品所发布的可适用的担保范围或担保免责声明。

邮寄地址：上海市浦东新区世纪大道 1568 号中建大厦 32 楼，邮政编码：200122

Copyright © 2020 德州仪器半导体技术（上海）有限公司